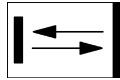


BOS 12M-PS-RD10-02
Order code: BOS01TR

Photoelectric sensor
 Series 12M GLOBAL
 Light scanner, energetic
 Sn = 250 mm, adjustable

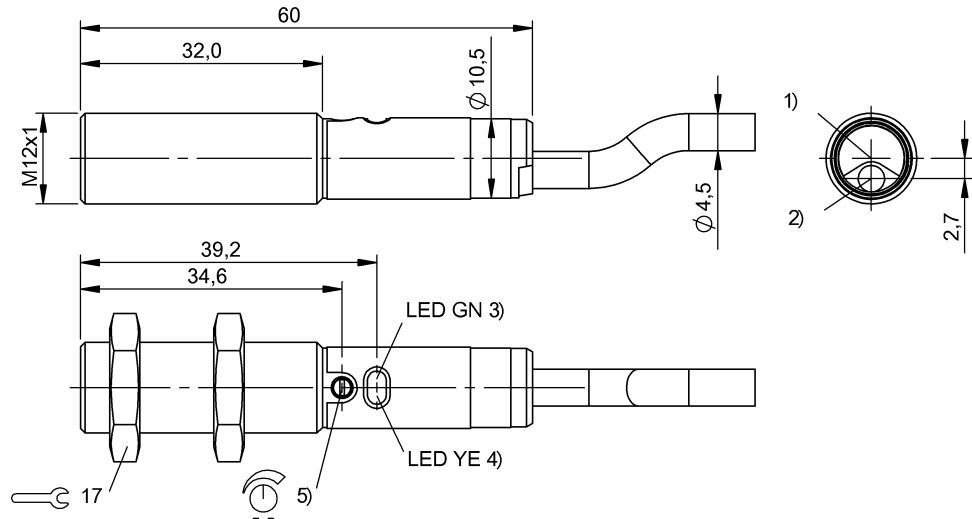
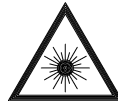


BALLUFF

sensors worldwide

DC, direct current
 PNP (1x)
 NO: light-on
 1,000 Hz
 LED, red light

LED-Light - DO NOT STARE INTO BEAM! Exempt group
 per IEC 62471:2006-07



1) Optical axis receiver 2) Optical axis emitter 3) Power 4) Light reception/Limit range 5) Sn

Basic data

Operating voltage UB DC	10.0 V... 30.0 V
Eff. operating voltage Ue DC	24.0 V
Ripple max. (% of Ue)	15 %
Polarity reversal protected	yes
Rated insulation voltage Ui	75 V DC
Indicator	Power - LED GN Light receipt - LED YE Limit range - LED YE, flash.
Adjuster	Potentiometer 270° (1x)
Setting	Switching distance (Sn)
Ambient temperature Ta	-5 °C... 55 °C

Optical data

Principle of optical operation	Light scanner, energetic
Erfassungsbereich Sd	1...250 mm
Light type	LED, red light
Wavelength	650 nm
LED group acc. IEC 62471	Exempt group
Light spot size, typical	28 mm x 28 mm at 250 mm
Beam characteristic	Divergent
Ambient light max.	10,000 Lux

Electrical data

Eff. operating distance Sr	250 mm
Minimum operating distance	1 mm
Switching output	PNP (1x)
Switching function	NO
Eff. operating current Ie	100 mA
Switching freq. f max. (at Ue)	1,000 Hz
Turn on time ton max.	0.50 ms

Turn off time toff max.	0.50 ms
Voltage drop Ud max. (at Ie)	1.5 V
Short circuit protected	yes
Load capacitance max. (at Ue)	0.20 µF

Mechanical data

Style	Cylinder, straight optics
Dimensions	Ø12.0 mm x 60.0 mm
Mounting type	Nut M12x1
Tightening torque max.	7/15 Nm
Housing material	Brass
Surface protection	Nickel-plated
Werkstoff aktive Fläche	PMMA
Degree of protec. per IEC60529	IP67
Connection type	Cable
Cable diameter D max.	4.7 mm
Cable length	2.00 m
Number of conductors	3
Conductor cross-section	0.34 mm²
Cable jacket material	PVC

Approval

Approvals / Conformity	CE
------------------------	----

Remarks

Basic standard IEC 60947-5-2
 The sensor is functional again after the overload has been eliminated.
 Reference object (target): Gray card, 200 x 200, 90 % remission, axial approach.
 For additional information, refer to user's guide.
 Order accessories separately.

000000118829/237043/20141201

BOS 12M-PS-RD10-02
Order code: BOS01TR

Photoelectric sensor
Series 12M GLOBAL
Light scanner, energetic
Sn = 250 mm, adjustable

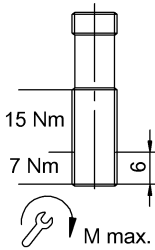
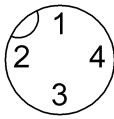
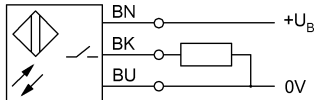
DC, direct current
PNP (1x)
NO: light-on
1,000 Hz
LED, red light

BALLUFF
sensors worldwide



Definitions see general catalog

Subject to change without notice.



000000118829/237043/20141201